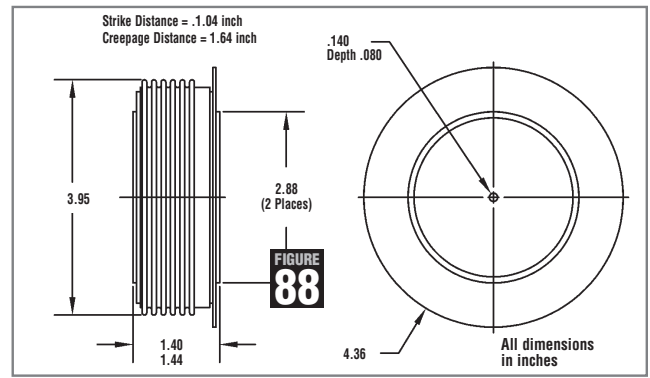
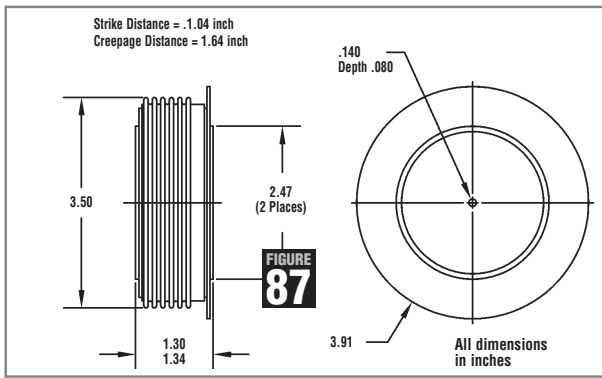
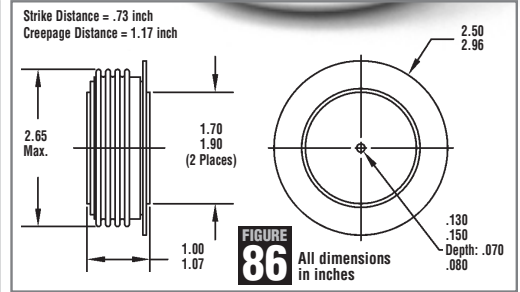
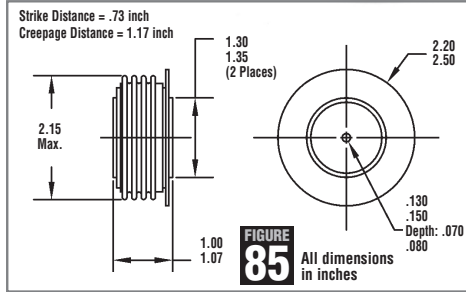
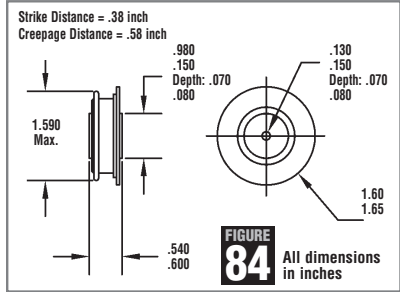
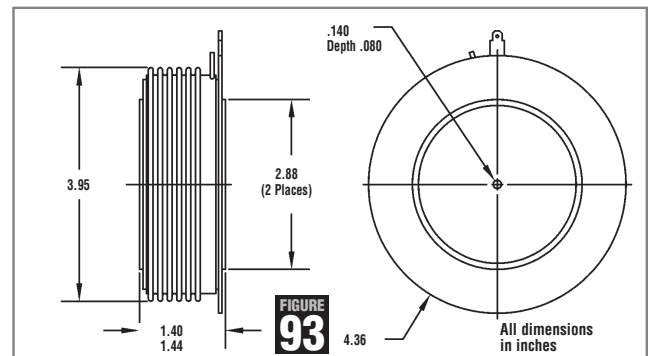
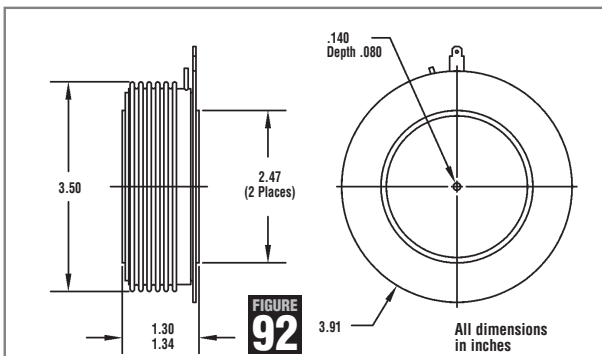
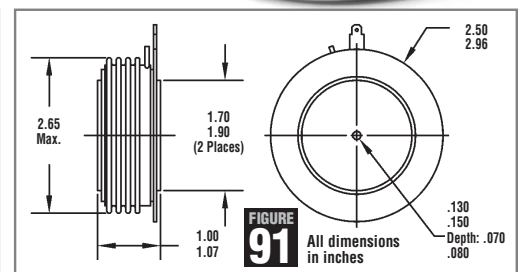
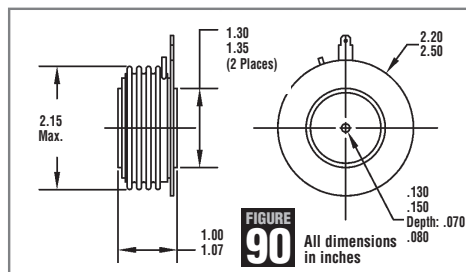
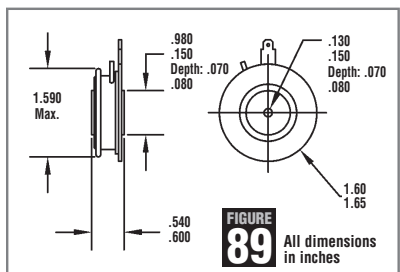




Diode Capsules



SCR Capsules





Part Number	V _{RRM} volts	I _F (avg) A	T _{CASE} °C	t _{RR} μ sec	I _{FSM} A	I _{2t} KA ² s	I _{RRM} (ma)@ T _{Jmax}	V _{FM} volts	I _{FM} A	T _J MAX °C	R _{θJ-C} Double sided cooled (°C/W)	Mtg. Force Lb	Fig
Diode Capsules													
D30P400S	500-1500	400	115	-	7000	170	40	1.400	1200	185	0.055	1000	84
D30P1200S	500-1500	1200	115	-	11100	510	40	1.650	3800	185	0.055	1000	84
D38P750S	1500-3000	750	90	-	10000	417	50	1.700	2400	175	0.040	4000	85
D38P1000S	1000-2000	1000	90	-	12000	600	50	1.750	3200	185	0.040	4000	85
D38P1000S1	1500-2600	1000	90	-	12000	600	50	1.750	3200	200	0.040	4000	85
D38P1000S3	3500-4500	1000	85	-	11000	500	50	1.400	1000	170	0.040	4000	85
D38P1200S	2800-3500	1200	85	-	13000	700	50	1.200	1000	170	0.040	4000	85
D38P1500S	1500-2600	1500	90	-	16000	1060	50	1.650	4700	185	0.040	4000	85
D52P1800S	2500-3000	1800	100	-	25000	2600	50	1.800	5000	175	0.023	5000	86
D52P2400S	1400-2000	2400	100	-	32000	4300	50	1.700	7600	185	0.023	5000	86
D77P2900S	3800-4500	2900	100	-	40000	6600	100	1.150	2000	170	0.012	8000	88
D77P3900S	2700-3200	3900	100	-	60000	14900	100	1.050	2000	175	0.012	8000	88
D77P4400S	1800-2600	4400	100	-	60000	14900	100	0.865	2000	185	0.012	8000	88
Fast Recovery													
D30P650F	500-1500	650	65	*	10000	410	40	1.90	2000	125	0.055	1000	84
D38P600F	600-1500	600	65	3.50	10000	415	50	1.80	2000	125	0.043	4000	85
D38P1000F	1500-2000	1000	78	*	14000	815	50	3.00	3200	125	0.043	4000	85
D52P925F	1500-2400	925	70	*	18000	1300	75	2.65	2900	150	0.023	5000	86

Part Number	V _{RRM} V	I _F (avg) A	T _C °C	I _{FSM} A	I _{2t} KA ² S	I _{RRM} (mA) @ T _{Jmax}	V _{FM} V	I _{FM} A	T _{JMAX} °C	di/dt A/μS	dV/dt V/μS	I _{GT} /V _{GT} mA/volt @25°C	t ₀ μS	Q _{RR} μC	I _H mA	Mtg. Force lb	R _{θJ-C} Double side cooled(°C/W)	Fig.
T Series - Phase Control SCR Capsules - See note 1																		
T30P600S	1000-2000	600	65	7500	235	30	2.30	2000	125	400	200	150/3	200	*	400	1000	0.0550	89
T30P700S	500-1400	700	65	8000	265	30	2.20	2000	125	400	200	150/3	200	*	400	1000	0.0550	89
T38P400S	3500-4500	400	70	5500	130	75	2.10	500	125	200	1000	150/3	400	*	400	3000	0.0400	90
T38P750S	1000-2000	750	67	11000	500	35	1.80	2200	125	400	200	150/3	200	*	400	3000	0.0400	90
T38P900S	500-1600	900	67	13000	700	35	1.60	2800	125	400	200	150/3	200	*	400	3000	0.0400	90
T52P800S	4000-4500	800	70	9000	330	75	2.00	1000	125	150	1000	150/3	500	*	400	5500	0.0250	91
T52P950S	3500-4000	950	70	16000	1000	75	1.60	1000	125	150	1000	150/3	500	*	400	5500	0.0250	91
T52P1000S	2200-3200	1000	74	15000	937	75	2.26	3000	125	300	300	150/3	250	*	400	5500	0.0250	91
T52P1300S	500-2000	1300	65	20000	1700	65	1.75	3000	125	400	400	150/3	250	*	400	5500	0.0250	91
T52P1500S	500-2000	1500	65	23000	2200	65	1.65	3000	125	400	400	150/3	250	*	400	5500	0.0250	91
T52P1640S	500-1400	1640	65	28500	3400	65	1.40	3000	125	400	400	150/3	250	*	400	5500	0.0250	91
T65P1200S	3600-4400	1200	65	20000	1900	150	2.00	2000	125	250	500	200/4	250	*	500	8000	0.0170	92
T65P1500S	1600-3000	1500	65	22500	2300	90	1.90	2000	125	250	500	200/4	250	*	500	10000	0.0170	92
T65P2000S	600-2000	2000	65	29400	3000	90	1.70	2000	125	300	500	200/4	250	*	500	10000	0.0170	92
T77P1650S	3600-4400	1650	70	26000	2800	250	2.55	5000	125	300	1000	200/4	400	*	250	10000	0.0120	93
T77P2100S	1200-1800	2100	70	38000	5500	100	1.55	2000	125	800	500	200/4	80	*	500	10000	0.0120	93
T77P2300S	2200-2700	2300	70	35000	5000	150	1.35	2000	125	300	500	200/4	400	*	100	10000	0.0120	93
T77P2500S	1200-2400	2500	65	45000	8500	150	1.90	7850	125	300	500	200/4	400	*	100	10000	0.0120	93
T77P3000S	800-1400	3000	65	45000	8500	150	1.15	2000	125	300	500	200/4	400	*	100	10000	0.0120	93
T77P3000S1	1200-2100	3000	70	55000	12500	150	1.10	2000	125	300	1000	200/4	400	*	100	10000	0.0120	93
T Series - Inverter Grade Fast Switching SCRs - See note 2																		
T30P600F	500-1400	600	65	6000	150	40	2.50	1200	125	800	400	150/3	20	*	500	1000	0.0550	89
T38P900F	1500-2000	900	65	7800	250	50	2.50	2000	125	800	500	200/3	30	*	500	3000	0.0400	90
T38P1000F	500-1400	1000	65	10000	415	35	2.90	2000	125	800	500	200/3	25-40	*	500	3500	0.0400	90
T38P1150F	1500-2000	1150	65	9000	336	50	2.50	2300	125	800	500	200/3	55	*	500	3000	0.0400	90
T52P1700F	1500-2000	1700	65	20000	1660	65	2.20	3400	125	800	500	150/3	50	2000	500	5500	0.0230	91
T52P2000F	500-1400	2000	65	16000	1060	65	2.60	4000	125	800	500	150/3	35	400	500	5500	0.0230	91
T65P2500F	600-1600	2500	65	24500	2500	90	1.90	3000	125	800	500	200/4	65	*	500	10000	0.0170	92
T65P2500F2	2200-2500	2500	65	40000	6800	100	2.25	4000	125	800	500	200/4	80	*	500	10000	0.0120	92
T77P3000F	2000-2800	3000	65	48000	8200	100	2.45	5000	125	800	500	200/4	75	*	500	16000	0.0085	93

¹ Currents listed are Average values.

² Currents listed are RMS values.

* For specific Q_{RR} values, contact the factory.
All devices listed are RoHS compliant.