

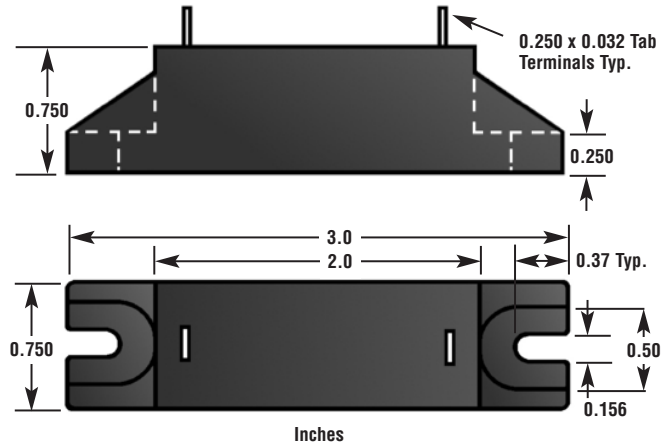


**HC, 3HC, 3HCF, HCUF Rectifier Blocks High Voltage, Mounting Slots**

**FIGURE 14**



**Please Note:**  
For Solder Turrets Add Suffix "T"



| Part Number  | Repetitive Peak Reverse Voltage<br>$V_{RRM}$<br>V | Avg. Forward Current Max.<br>$I_{FAVM@55^{\circ}C}$<br>A | Max. Forward Voltage Drop<br>$V_F@I_{FAVM}$<br>V | Max. Reverse Current<br>$I_R@V_{RRM@25^{\circ}C}$<br>$\mu A$ | Max. Surge Current<br>$I_{FSM}(8.3ms)$<br>A | Max. Reverse Recovery Time<br>$T_{RR}$<br>nS | Figure |
|--|---|--|--|--|---|--|--------|
| <b>HC Series - Standard Recovery 1.0 Amp Glass Passivated Rectifier Assembly</b>                         |   |  |  |  |   |  |        |
| HC5  | 5000  | 1.0  | 4.5  | 0.5  | 50  | -  | 14     |
| HC8  | 8000  | 1.0  | 7.2  | 0.5  | 50  | -  | 14     |
| HC10   | 10000   | 1.0  | 9.0  | 0.5  | 50  | -  | 14     |
| HC12   | 12000   | 0.8  | 10.5   | 0.5  | 50  | -  | 14     |
| HC15   | 15000   | 0.7  | 14.0   | 0.5  | 50  | -  | 14     |
| HC20   | 20000   | 0.6  | 21.0   | 0.5  | 50  | -  | 14     |
| <b>3HC Series - Standard Recovery 3.0 Amp Glass Passivated Rectifier Assembly</b>                        |   |  |  |  |   |  |        |
| 3HC5   | 5000  | 2.5  | 4.8  | 0.5  | 150   | -  | 14     |
| 3HC10  | 10000   | 2.0  | 9.0  | 0.5  | 150   | -  | 14     |
| 3HC12  | 12000   | 1.75   | 10.5   | 0.5  | 150   | -  | 14     |
| 3HC15  | 15000   | 1.5  | 13.2   | 0.5  | 150   | -  | 14     |
| <b>HCF Series - Fast Recovery 1.0 Amp Glass Passivated Rectifier Assembly <math>T_{RR}</math> 150nS</b>  |   |  |  |  |   |  |        |
| HCF5   | 5000  | 1.0  | 8.0  | 1.0  | 50  | 150  | 14     |
| HCF8   | 8000  | 1.0  | 12.0   | 1.0  | 50  | 150  | 14     |
| HCF10  | 10000   | 0.8  | 15.0   | 1.0  | 50  | 150  | 14     |
| HCF12  | 12000   | 0.7  | 18.0   | 1.0  | 50  | 150  | 14     |
| <b>3HCF Series - Fast Recovery 3.0 Amp Glass Passivated Rectifier Assembly <math>T_{RR}</math> 250nS</b> |   |  |  |  |   |  |        |
| 3HCF5  | 5000  | 2.0  | 7.0  | 0.5  | 100   | 250  | 14     |
| 3HCF10   | 10000   | 1.5  | 13.0   | 0.5  | 100   | 250  | 14     |
| <b>HCUF Series - Ultra Fast Recovery 1.0 Amp Rectifier Assembly <math>T_{RR}</math> 75nS</b>             |   |  |  |  |   |  |        |
| HCUF5  | 5000  | 1.0  | 5.5  | 1.0  | 35  | 75   | 14     |
| HCUF8  | 8000  | 1.0  | 8.8  | 1.0  | 35  | 75   | 14     |
| HCUF10   | 10000   | 0.8  | 11.0   | 1.0  | 35  | 75   | 14     |
| HCUF12   | 12000   | 0.7  | 13.2   | 1.0  | 35  | 75   | 14     |
| HCUF15   | 15000   | 0.6  | 17.0   | 1.0  | 35  | 75   | 14     |
| <b>HCUSF Series - Ultra Super Fast Recovery 1.0 Amp Rectifier Assembly <math>T_{RR}</math> 35nS</b>      |   |  |  |  |   |  |        |
| HCUSF5   | 5000  | 0.65   | 7.0  | 1.0  | 10  | 35   | 14     |
| HCUSF8   | 8000  | 0.65   | 11.2   | 1.0  | 10  | 35   | 14     |
| HCUSF10  | 10000   | 0.5  | 14.0   | 1.0  | 10  | 35   | 14     |
| HCUSF12  | 12000   | 0.5  | 16.8   | 1.0  | 10  | 35   | 14     |
| HCUSF15  | 15000   | 0.5  | 21.0   | 1.0  | 10  | 35   | 14     |
| <b>2HCUSF Series - Ultra Super Fast Recovery 2.0 Amp Rectifier Assembly <math>T_{RR}</math> 40nS</b>     |   |  |  |  |   |  |        |
| 2HCUSF3  | 3000  | 1.75   | 6.0  | 5.0  | 60  | 40   | 14     |
| 2HCUSF5  | 5000  | 1.75   | 10.0   | 5.0  | 60  | 40   | 14     |
| 2HCUSF8  | 8000  | 1.5  | 16.0   | 5.0  | 60  | 40   | 14     |
| <b>3HCUF Series - Fast Recovery 3.0 Amp Rectifier Assembly <math>T_{RR}</math> 75nS</b>                  |   |  |  |  |   |  |        |
| 3HCUF5   | 5000  | 2.25   | 7.0  | 5.0  | 150   | 75   | 14     |
| 3HCUF8   | 8000  | 2.0  | 11.2   | 5.0  | 150   | 75   | 14     |
| 3HCUF10  | 10000   | 2.0  | 14.0   | 5.0  | 150   | 75   | 14     |

See page 23 for notes on max package operating voltage -  $V_{RRM}$  vs package applicability

All listed products shipped on December 31, 2013 or later will be RoHS Compliant. Available earlier by special request, contact factory or sales rep for availability.