



FIGURE 53

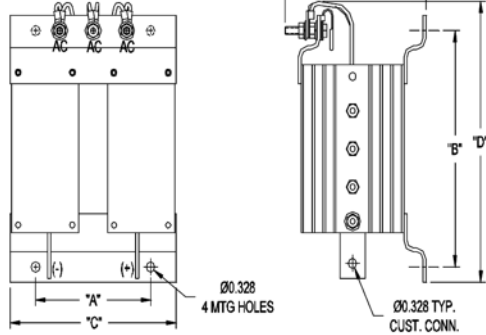
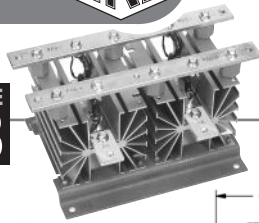


FIGURE 55

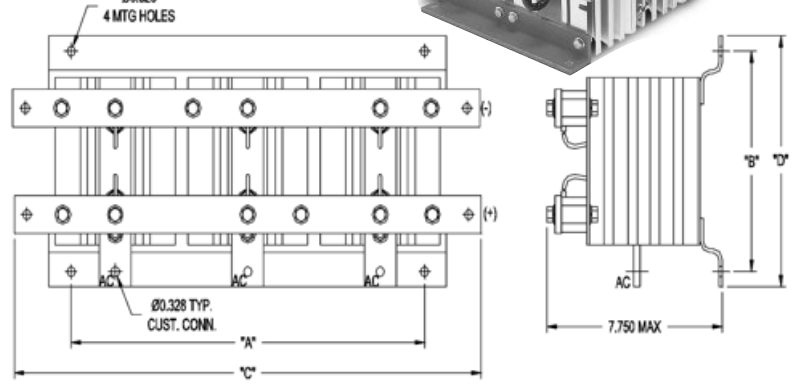


FIGURE 54

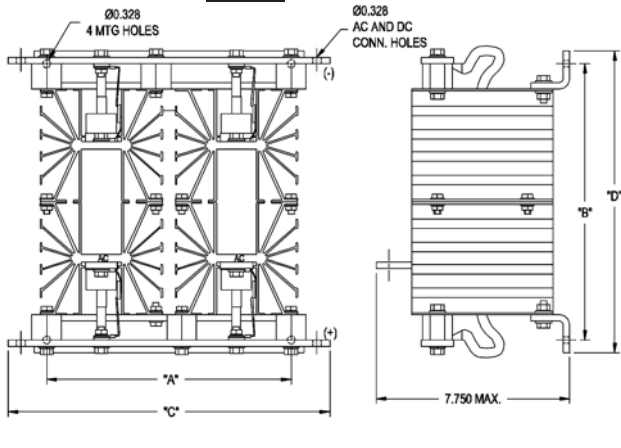
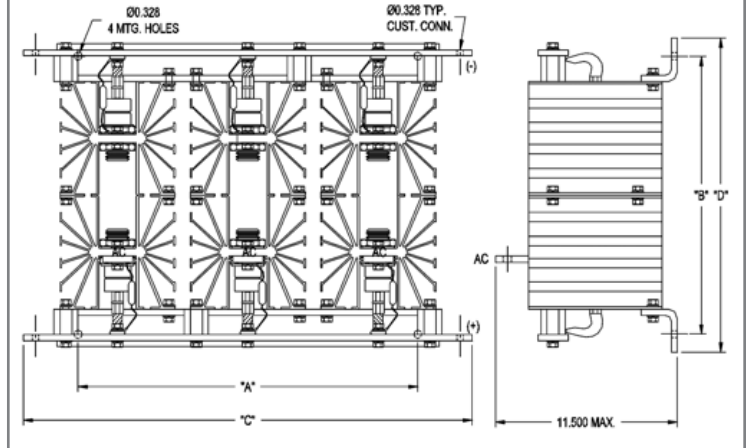


FIGURE 56



Part Number	Peak Repetitive Reverse Voltage V_{RRM} Per Leg Volts	Maximum Average Forward Current $I_{FAVM}@50^{\circ}C$ Amps	Maximum Forward Voltage Drop V_F @ I_F Per Leg Volts	Maximum Reverse Current $I_R@V_{RRM}$ @ $25^{\circ}C$ MilliAmps	Maximum Surge Current I_{FSM} (8.3ms) Amps	Fig.	DIM "A"	DIM "B"	DIM "C"	DIM "D"
CB Series - Single Phase Full Wave Bridge Configuration										
CB70H2AA●	400 -1200	70	1.50	1.0	500	53	4.50	7.75	6.50	9.50
CB100H2AA●	400 -1200	100	1.50	1.0	1200	53	4.50	7.75	6.50	9.50
CB200K2AA●	400 -1200	200	1.50	1.0	3000	55	9.50	7.25	12.50	8.25
CB250K4AA●	400 -2000	250	1.50	1.0	3600	54	9.50	11.00	12.50	12.00
CB300K4AA●	400 -1600	300	1.50	1.0	6850	54	9.50	11.00	12.50	12.00
CT Series - Three Phase Full Wave Bridge Configuration										
CT50G2AA●	400 -1200	50	1.50	1.0	500	53	4.50	7.75	6.50	9.50
CT150K3AA●	400 -1200	150	1.50	1.0	1200	55	14.00	7.25	18.50	8.25
CT300K3AA●	400 -1200	300	1.50	1.0	3600	55	14.00	7.25	18.50	8.25
CT400K6AA●	400 -2500	400	1.50	1.0	3600	55	14.00	11.00	18.50	12.50
CT500K6AA●	400 -1600	500	1.50	1.0	6850	56	14.00	11.00	18.50	12.50
CT700U6AA●	400 -1600	700	1.50	1.0	6850	56	18.50	14.50	24.00	15.50
CT1000V6AA●	400 -1600	1000	1.50	1.0	10960	56	18.50	14.50	24.00	15.50

P/N CT50G2AA400 represents a 50 Ampere , 400 Volt VRRM Three Phase Full Wave Bridge Rectifier

Were the ● appears, the desired PIV rating should be inserted instead. Voltage ratings are available in increments of 200V from 400 to 1200 or 400 to 1600 as appropriate. All listed products shipped on December 31, 2013 or later will be RoHS Compliant. Available earlier by special request, contact factory or sales rep for availability.